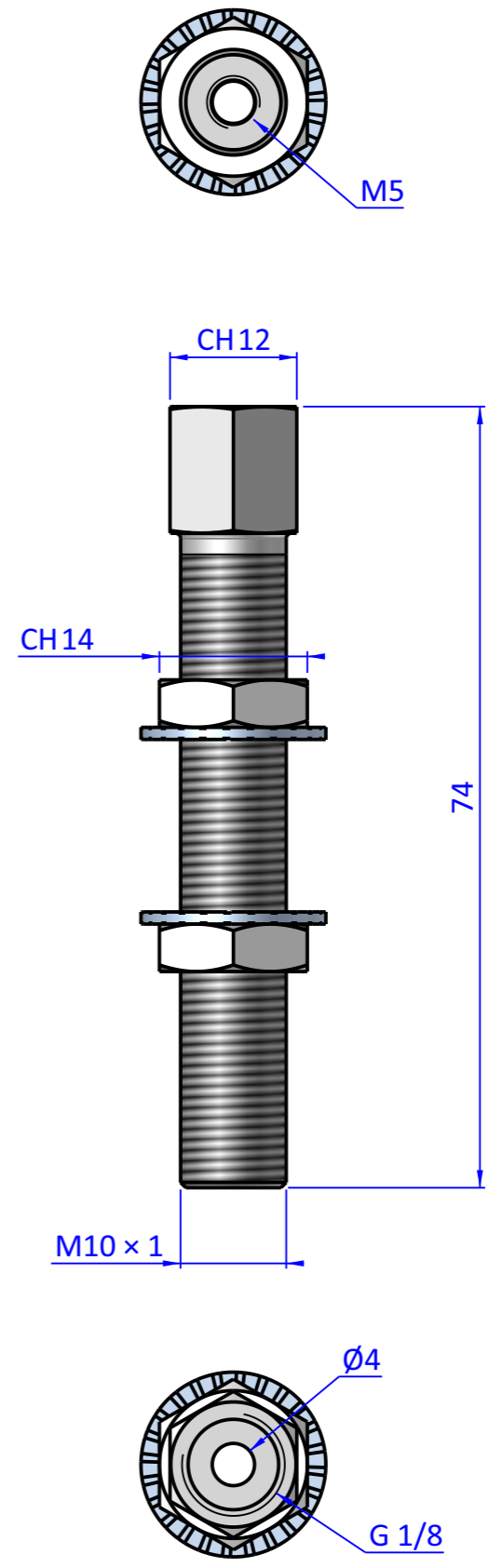
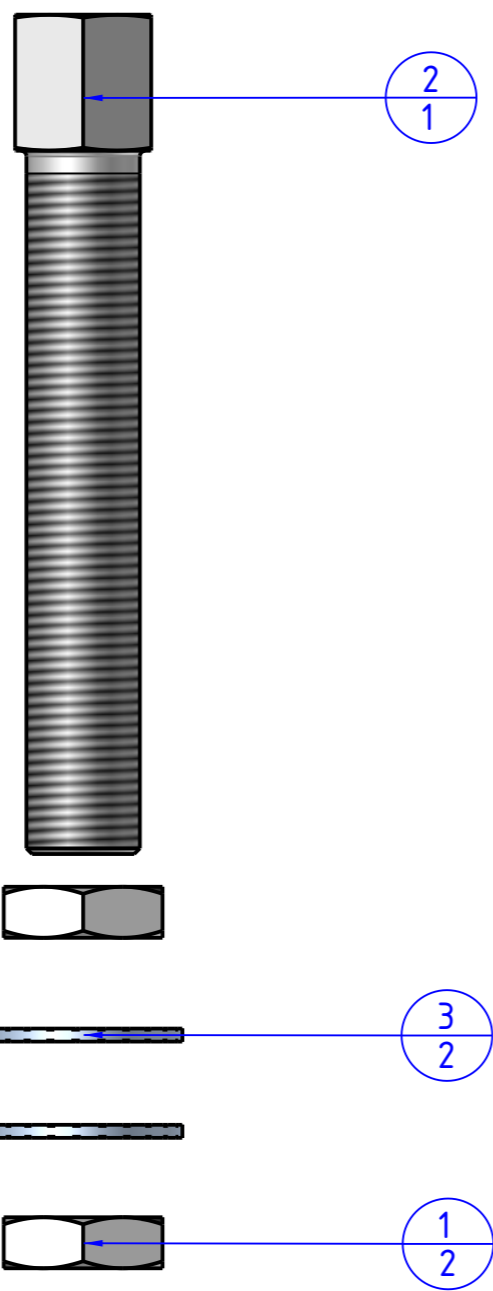

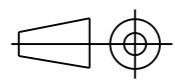


Item	Name	Q.ty
1	05.01.005.06	2
2	05.10.001	1
3	R.10.SCH	2



THE PROPERTY OF THE DRAWING IS ESTABLISHED BY LAW. IT IS FORBIDDEN TO PRODUCE OR SHOW IT TO THIRD PART. WITHOUT A WRITTEN AGREEMENT.

Format A3
UNI 936-76

 FPS FPSERVICES AUTOMATION			DESIGNED FROM FPS Automation	REVIEW A
GENERAL TOLERANCE UNI - ISO 2768 CLASSE f	DESCRIPTION CA.05.10.001	DATE 17/11/2023	WEIGHT 0,018kg	CODE CA.05.10.001